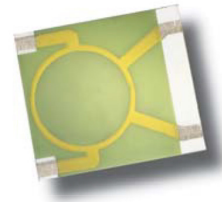


# Rat Race



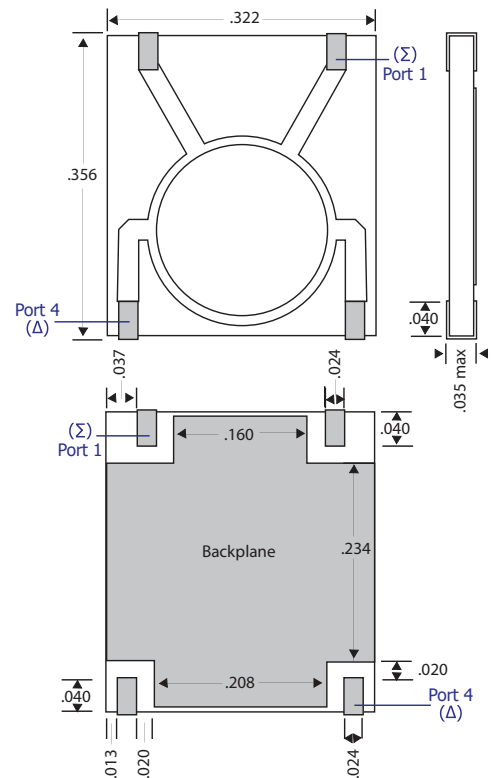
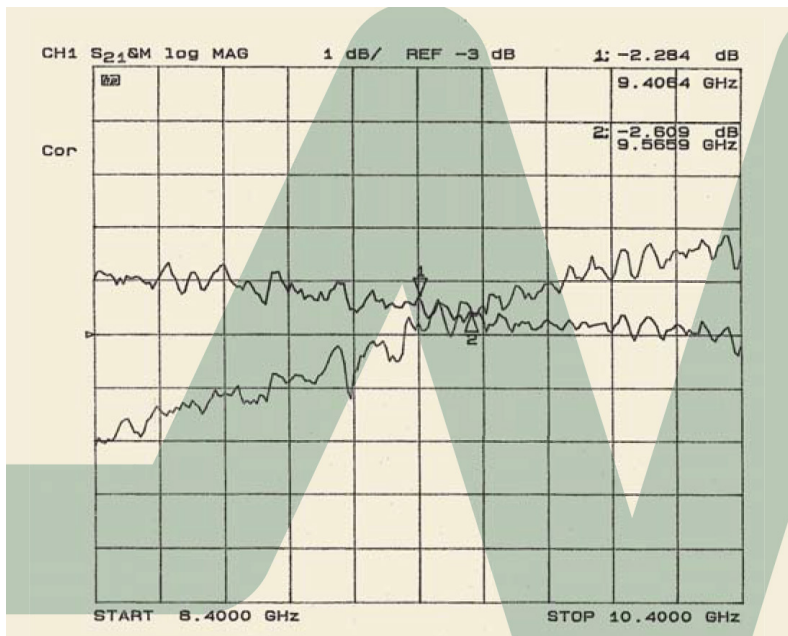
## Thick Film Two Way Rat Race "Ring Hybrid" Divider

**IMS** has recently developed a high performance thick film Rat Race Power Divider. The unit shown is designed for 9 to 11 GHz operation and is of surface mount architecture. Dissipated loss is typically less than 0.3dB.



IMD2417	Specification
Operating Frequency:	9 - 11GHz
Size:	.322" x .356" x .035" Max
Insertion Loss:	0.5dB or less
Input Isolation:	20dB or more
Phase Split:	+/- 5 degrees
Amplitude Split:	+/- 1.0dB
Input Power:	20W with a 100° C baseplate

### IMD2417 Coupling Response

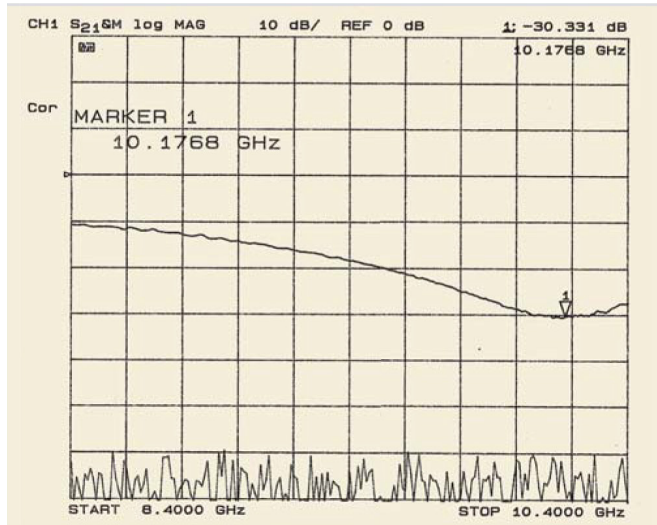


## International Manufacturing Services, Inc.

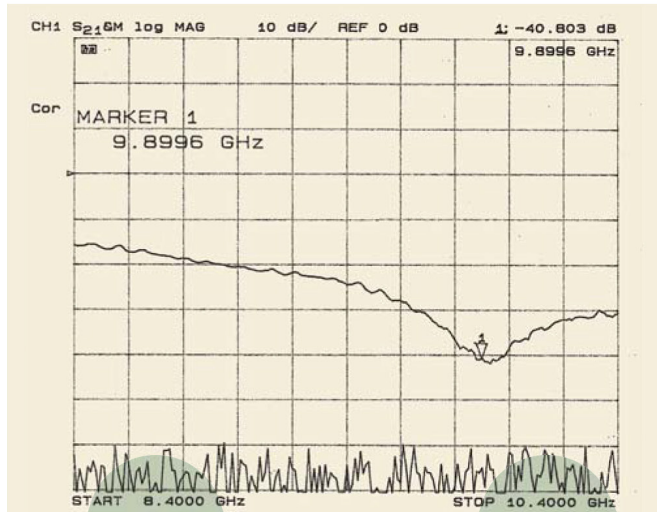
50 Schoolhouse Ln., Portsmouth RI 02871 USA

Tel (401) 683-9700 • Fax (401) 683-5571 • e-mail: [ims@ims-resistors.com](mailto:ims@ims-resistors.com) • [www.ims-resistors.com](http://www.ims-resistors.com)

## IMD2417 Input Isolation



## IMD2417 Sum Port - Difference Port Isolation



## IMD2417 Phase Delta

