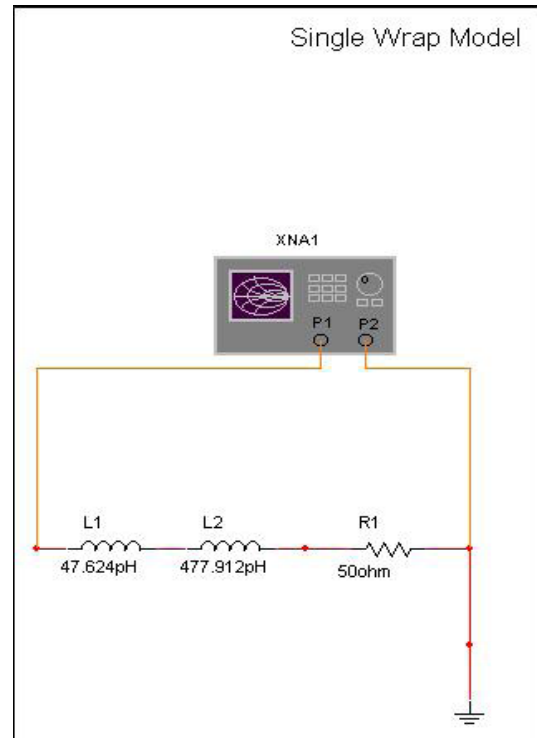


NG31005SG-WB.			
Resistor Modeling Data			
FREQ.(GHz)	Return Loss	S11	Phase(S11)
1.00000	-29.62908689	0.03300	88.10876
1.26174	-27.61245392	0.04163	87.61425
1.52349	-25.97853887	0.05024	87.12009
1.78523	-24.60551197	0.05885	86.62637
2.04698	-23.42187802	0.06744	86.13314
2.30872	-22.38207685	0.07601	85.64049
2.57047	-21.455279	0.08457	85.14848
2.83221	-20.61964809	0.09311	84.65719
3.09396	-19.85915126	0.10163	84.16668
3.35570	-19.16167427	0.11013	83.67704
3.61745	-18.51783019	0.11861	83.18831
3.87919	-17.92019897	0.12705	82.70059
4.14094	-17.36282322	0.13547	82.21392
4.40268	-16.84083059	0.14387	81.72838
4.66443	-16.35020617	0.15223	81.24403
4.92617	-15.8875774	0.16055	80.76094
5.18792	-15.45010216	0.16885	80.27918
5.44966	-15.03536394	0.17711	79.79880
5.71141	-14.64127296	0.18533	79.31986
5.97315	-14.266026	0.19351	78.84243
6.23490	-13.9080484	0.20165	78.36656
6.49664	-13.56596889	0.20975	77.89231
6.75839	-13.23856334	0.21781	77.41974
7.02013	-12.92475963	0.22582	76.94891
7.28188	-12.62358541	0.23379	76.47986
7.54362	-12.33419028	0.24171	76.01265
7.80537	-12.05580091	0.24958	75.54733
8.06711	-11.78771442	0.25740	75.08395
8.32886	-11.52930259	0.26518	74.62256
8.59060	-11.27998976	0.27290	74.16321
8.85235	-11.03925585	0.28057	73.70593
9.11409	-10.8066238	0.28818	73.25078
9.37584	-10.58165472	0.29574	72.79779
9.63758	-10.36394657	0.30325	72.34701
9.89933	-10.15312741	0.31070	71.89848
10.16107	-9.948854955	0.31810	71.45223
10.42282	-9.750816248	0.32543	71.00830
10.68456	-9.558711631	0.33271	70.56672
10.94631	-9.37227144	0.33993	70.12753
11.20805	-9.191238052	0.34709	69.69077
11.46980	-9.015379543	0.35419	69.25645
11.73154	-8.844468051	0.36122	68.82462
11.99329	-8.678298368	0.36820	68.39529
12.25503	-8.516676648	0.37512	67.96849
12.51678	-8.359419454	0.38197	67.54425
12.77852	-8.206352891	0.38876	67.12259
13.04027	-8.057316219	0.39549	66.70354



13.30201	-7.912154305	0.40215	66.28710
13.56376	-7.770725688	0.40876	65.87331
13.82550	-7.63289105	0.41529	65.46218
14.08725	-7.498523356	0.42177	65.05373
14.34899	-7.367496786	0.42818	64.64796
14.61074	-7.239696639	0.43453	64.24490
14.87248	-7.115012616	0.44081	63.84456
15.13423	-6.993338503	0.44703	63.44695
15.39597	-6.874575715	0.45318	63.05207
15.65772	-6.758625206	0.45927	62.65995
15.91946	-6.645400552	0.46530	62.27057
16.18121	-6.534812382	0.47126	61.88397
16.44295	-6.426775832	0.47716	61.50012
16.70470	-6.321215639	0.48299	61.11905
16.96644	-6.218053112	0.48876	60.74076
17.22819	-6.1172151	0.49447	60.36525
17.48993	-6.01863365	0.50011	59.99251
17.75168	-5.922240549	0.50569	59.62255
18.01342	-5.827972409	0.51121	59.25538
18.27517	-5.735765354	0.51667	58.89098
18.53691	-5.645563335	0.52206	58.52935
18.79866	-5.557307836	0.52739	58.17050
19.06040	-5.470944493	0.53266	57.81442
19.32215	-5.386421264	0.53787	57.46110
19.58389	-5.303685091	0.54302	57.11054
19.84564	-5.222688274	0.54811	56.76274
20.10738	-5.143383489	0.55313	56.41768
20.36913	-5.065726867	0.55810	56.07535
20.63087	-4.989671655	0.56301	55.73576
20.89262	-4.915177497	0.56786	55.39888
21.15436	-4.842202565	0.57265	55.06472
21.41611	-4.770708111	0.57738	54.73325
21.67785	-4.700653854	0.58206	54.40448
21.93960	-4.632005425	0.58668	54.07839
22.20134	-4.564726772	0.59124	53.75496
22.46309	-4.498781673	0.59575	53.43419
22.72483	-4.434136618	0.60020	53.11606
22.98658	-4.370760695	0.60459	52.80056
23.24832	-4.308622628	0.60893	52.48767
23.51007	-4.247689365	0.61322	52.17739
23.77181	-4.187934559	0.61745	51.86969
24.03356	-4.129328554	0.62163	51.56457
24.29530	-4.07184264	0.62576	51.26200
24.55705	-4.015450394	0.62984	50.96197
24.81879	-3.960124852	0.63386	50.66447
25.08054	-3.905843961	0.63783	50.36949
25.34228	-3.85257959	0.64176	50.07699
25.60403	-3.800308466	0.64563	49.78698
25.86577	-3.749009345	0.64946	49.49942
26.12752	-3.698657619	0.65323	49.21431
26.38926	-3.649232023	0.65696	48.93163

26.65101	-3.600711893	0.66064	48.65135
26.91275	-3.553075836	0.66427	48.37347
27.17450	-3.506304343	0.66786	48.09797
27.43624	-3.460377143	0.67140	47.82482
27.69799	-3.415275787	0.67490	47.55401
27.95973	-3.370982314	0.67835	47.28552
28.22148	-3.327476683	0.68175	47.01933
28.48322	-3.284744423	0.68511	46.75543
28.74497	-3.242765138	0.68843	46.49380
29.00671	-3.201525193	0.69171	46.23441
29.26846	-3.161006306	0.69494	45.97726
29.53020	-3.121193112	0.69814	45.72231
29.79195	-3.08207061	0.70129	45.46956
30.05369	-3.043625385	0.70440	45.21899
30.31544	-3.005840658	0.70747	44.97057
30.57718	-2.968703685	0.71050	44.72429
30.83893	-2.93219958	0.71349	44.48013
31.10067	-2.896314993	0.71645	44.23806
31.36242	-2.861038072	0.71936	43.99809
31.62416	-2.82635482	0.72224	43.76017
31.88591	-2.792253926	0.72508	43.52430
32.14765	-2.758721934	0.72789	43.29046
32.40940	-2.725746844	0.73066	43.05863
32.67114	-2.693318087	0.73339	42.82878
32.93289	-2.661425305	0.73609	42.60091
33.19463	-2.630056001	0.73875	42.37500
33.45638	-2.599199082	0.74138	42.15101
33.71812	-2.568844834	0.74397	41.92895
33.97987	-2.538983728	0.74654	41.70879
34.24161	-2.509604099	0.74907	41.49051
34.50336	-2.480697952	0.75156	41.27409
34.76510	-2.452255143	0.75403	41.05952
35.02685	-2.424265705	0.75646	40.84678
35.28859	-2.396722131	0.75886	40.63586
35.55034	-2.36961477	0.76124	40.42672
35.81208	-2.342934132	0.76358	40.21937
36.07383	-2.316672018	0.76589	40.01377
36.33557	-2.290821494	0.76817	39.80991
36.59732	-2.265374621	0.77043	39.60778
36.85906	-2.240321338	0.77265	39.40736
37.12081	-2.21565622	0.77485	39.20864
37.38255	-2.191370584	0.77702	39.01158
37.64430	-2.167456989	0.77916	38.81619
37.90604	-2.14390922	0.78128	38.62244
38.16779	-2.120720051	0.78336	38.43032
38.42953	-2.097882362	0.78543	38.23980
38.69128	-2.075389138	0.78746	38.05088
38.95302	-2.053234562	0.78947	37.86354
39.21477	-2.031411806	0.79146	37.67776
39.47651	-2.009914137	0.79342	37.49353
39.73826	-1.988737097	0.79536	37.31083

40.00000	-1.967873027	0.79727	37.12964
----------	--------------	---------	----------