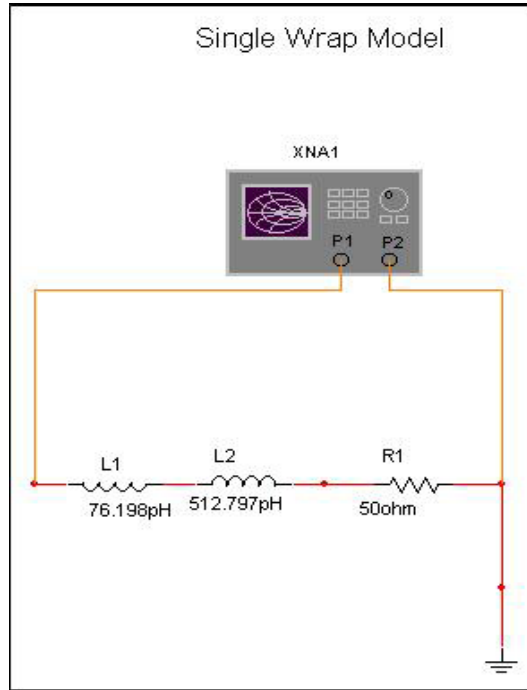


NT32010ZG-WB.			
Resistor Modeling Data			
FREQ.(GH)	Return Loss(dB)	S11	Phase(S11)
1.00000	-28.64011461	0.03698	87.88059
1.26174	-26.62419786	0.04664	87.32656
1.52349	-24.99116209	0.05629	86.77304
1.78523	-23.61917774	0.06592	86.22011
2.04698	-22.43675015	0.07554	85.66789
2.30872	-21.3983157	0.08513	85.11648
2.57047	-20.47304353	0.09470	84.56597
2.83221	-19.6390953	0.10424	84.01647
3.09396	-18.88044503	0.11376	83.46807
3.35570	-18.18496621	0.12324	82.92087
3.61745	-17.54326885	0.13269	82.37496
3.87919	-16.94793507	0.14210	81.83044
4.14094	-16.39300302	0.15148	81.28741
4.40268	-15.87360933	0.16081	80.74594
4.66443	-15.38571969	0.17010	80.20614
4.92617	-14.92596754	0.17935	79.66809
5.18792	-14.49151073	0.18855	79.13188
5.44966	-14.07992373	0.19770	78.59758
5.71141	-13.68911952	0.20680	78.06529
5.97315	-13.31728892	0.21584	77.53508
6.23490	-12.96285684	0.22483	77.00703
6.49664	-12.62444368	0.23376	76.48122
6.75839	-12.30082365	0.24264	75.95771
7.02013	-11.99092229	0.25145	75.43659
7.28188	-11.6937707	0.26020	74.91792
7.54362	-11.40850375	0.26889	74.40177
7.80537	-11.13434587	0.27751	73.88820
8.06711	-10.87059922	0.28607	73.37727
8.32886	-10.61662778	0.29456	72.86905
8.59060	-10.37185265	0.30298	72.36360
8.85235	-10.13575075	0.31132	71.86097
9.11409	-9.90783741	0.31960	71.36120
9.37584	-9.68767263	0.32781	70.86436
9.63758	-9.474853552	0.33594	70.37050
9.89933	-9.269000323	0.34399	69.87965
10.16107	-9.069773519	0.35197	69.39186
10.42282	-8.876845764	0.35988	68.90718
10.68456	-8.689926616	0.36771	68.42563
10.94631	-8.508733424	0.37546	67.94727
11.20805	-8.333011062	0.38313	67.47212
11.46980	-8.162518205	0.39073	67.00022
11.73154	-7.99703044	0.39824	66.53160
11.99329	-7.836334472	0.40568	66.06627
12.25503	-7.680235568	0.41304	65.60428
12.51678	-7.528543547	0.42031	65.14565
12.77852	-7.381084601	0.42751	64.69039
13.04027	-7.237691937	0.43463	64.23852



13.30201	-7.098213071	0.44166	63.79007
13.56376	-6.962497081	0.44862	63.34505
13.82550	-6.830405903	0.45549	62.90347
14.08725	-6.701805841	0.46228	62.46535
14.34899	-6.576570926	0.46900	62.03069
14.61074	-6.454584163	0.47563	61.59951
14.87248	-6.335729682	0.48218	61.17181
15.13423	-6.219899737	0.48866	60.74759
15.39597	-6.106994139	0.49505	60.32686
15.65772	-5.996912814	0.50137	59.90963
15.91946	-5.889562598	0.50760	59.49588
16.18121	-5.784853409	0.51376	59.08563
16.44295	-5.682701361	0.51983	58.67886
16.70470	-5.583021768	0.52583	58.27558
16.96644	-5.485740588	0.53176	57.87578
17.22819	-5.39078087	0.53760	57.47945
17.48993	-5.298069278	0.54337	57.08658
17.75168	-5.207540607	0.54906	56.69717
18.01342	-5.119124808	0.55468	56.31121
18.27517	-5.032761147	0.56022	55.92869
18.53691	-4.948386976	0.56569	55.54958
18.79866	-4.86594387	0.57109	55.17389
19.06040	-4.785377401	0.57641	54.80160
19.32215	-4.70662946	0.58166	54.43268
19.58389	-4.629651715	0.58684	54.06714
19.84564	-4.554391945	0.59194	53.70494
20.10738	-4.480801457	0.59698	53.34607
20.36913	-4.408832027	0.60195	52.99052
20.63087	-4.338441577	0.60685	52.63826
20.89262	-4.269585387	0.61168	52.28928
21.15436	-4.2022204	0.61644	51.94356
21.41611	-4.136306534	0.62113	51.60107
21.67785	-4.071805162	0.62576	51.26180
21.93960	-4.008676278	0.63033	50.92572
22.20134	-3.946885367	0.63483	50.59281
22.46309	-3.8863964	0.63926	50.26305
22.72483	-3.827174564	0.64364	49.93641
22.98658	-3.769187543	0.64795	49.61288
23.24832	-3.712402756	0.65220	49.29243
23.51007	-3.656788669	0.65639	48.97503
23.77181	-3.602314746	0.66052	48.66066
24.03356	-3.548952709	0.66459	48.34929
24.29530	-3.496675153	0.66860	48.04091
24.55705	-3.445452926	0.67255	47.73548
24.81879	-3.395260297	0.67645	47.43299
25.08054	-3.346071018	0.68029	47.13340
25.34228	-3.297859592	0.68408	46.83669
25.60403	-3.250603767	0.68781	46.54283
25.86577	-3.204278153	0.69149	46.25181
26.12752	-3.158860546	0.69512	45.96358
26.38926	-3.114329342	0.69869	45.67813

26.65101	-3.070662277	0.70221	45.39544
26.91275	-3.027838895	0.70568	45.11546
27.17450	-2.985839268	0.70910	44.83819
27.43624	-2.944642754	0.71247	44.56359
27.69799	-2.904230432	0.71579	44.29164
27.95973	-2.864585053	0.71907	44.02231
28.22148	-2.825686184	0.72230	43.75557
28.48322	-2.78751865	0.72548	43.49140
28.74497	-2.75006407	0.72861	43.22977
29.00671	-2.713305661	0.73170	42.97066
29.26846	-2.677228202	0.73475	42.71405
29.53020	-2.641815637	0.73775	42.45989
29.79195	-2.607052259	0.74071	42.20818
30.05369	-2.572922697	0.74362	41.95889
30.31544	-2.539414231	0.74650	41.71198
30.57718	-2.506512093	0.74933	41.46744
30.83893	-2.474202975	0.75212	41.22524
31.10067	-2.442472683	0.75488	40.98535
31.36242	-2.411308452	0.75759	40.74775
31.62416	-2.380697765	0.76027	40.51242
31.88591	-2.350629486	0.76290	40.27933
32.14765	-2.321089291	0.76550	40.04845
32.40940	-2.292067638	0.76806	39.81977
32.67114	-2.263551785	0.77059	39.59326
32.93289	-2.235532588	0.77308	39.36889
33.19463	-2.207996593	0.77553	39.14664
33.45638	-2.180936152	0.77795	38.92649
33.71812	-2.15433931	0.78034	38.70842
33.97987	-2.12819542	0.78269	38.49239
34.24161	-2.102496218	0.78501	38.27840
34.50336	-2.077232482	0.78730	38.06641
34.76510	-2.052394041	0.78955	37.85641
35.02685	-2.027973077	0.79177	37.64837
35.28859	-2.003958617	0.79397	37.44227
35.55034	-1.980344214	0.79613	37.23809
35.81208	-1.957120262	0.79826	37.03580
36.07383	-1.934279466	0.80036	36.83540
36.33557	-1.911813561	0.80243	36.63684
36.59732	-1.889715481	0.80448	36.44012
36.85906	-1.867977185	0.80649	36.24521
37.12081	-1.846589672	0.80848	36.05209
37.38255	-1.825548347	0.81044	35.86075
37.64430	-1.804845478	0.81238	35.67115
37.90604	-1.784473439	0.81428	35.48329
38.16779	-1.764425765	0.81617	35.29714
38.42953	-1.744696077	0.81802	35.11269
38.69128	-1.725279137	0.81985	34.92991
38.95302	-1.70616661	0.82166	34.74878
39.21477	-1.687354476	0.82344	34.56929
39.47651	-1.66883456	0.82520	34.39141
39.73826	-1.650604035	0.82693	34.21514

40.00000	-1.632654873	0.82864	34.04044
----------	--------------	---------	----------