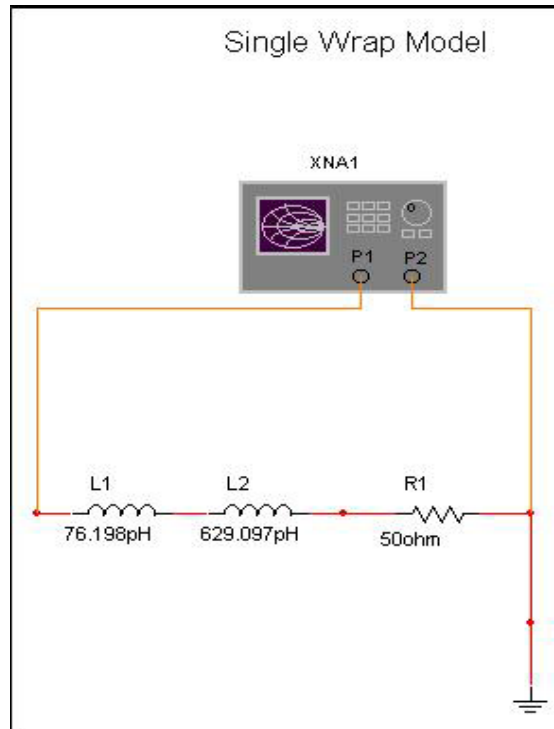


NT32525ZG-WB			
Resistor Modeling Data			
FREQ.(GHz)	Return Loss(dB)	S11	Phase(S11)
1.00000	-27.07750741	0.04427	87.46260
1.26174	-25.06311108	0.05583	86.79968
1.52349	-23.43194554	0.06736	86.13763
1.78523	-22.06217618	0.07887	85.47660
2.04698	-20.88230501	0.09034	84.81678
2.30872	-19.84676814	0.10178	84.15833
2.57047	-18.924729	0.11318	83.50143
2.83221	-18.09434587	0.12453	82.84624
3.09396	-17.33958082	0.13584	82.19292
3.35570	-16.64830751	0.14709	81.54164
3.61745	-16.01113345	0.15829	80.89256
3.87919	-15.4206398	0.16942	80.24582
4.14094	-14.87084567	0.18049	79.60159
4.40268	-14.35688297	0.19149	78.96000
4.66443	-13.87472133	0.20242	78.32120
4.92617	-13.42098107	0.21328	77.68534
5.18792	-12.99281028	0.22406	77.05254
5.44966	-12.58777328	0.23475	76.42293
5.71141	-12.20378314	0.24536	75.79665
5.97315	-11.83901857	0.25589	75.17382
6.23490	-11.49189827	0.26632	74.55455
6.49664	-11.16103173	0.27666	73.93896
6.75839	-10.84518922	0.28691	73.32715
7.02013	-10.54328021	0.29705	72.71923
7.28188	-10.25433013	0.30710	72.11530
7.54362	-9.977472246	0.31705	71.51544
7.80537	-9.711914155	0.32689	70.91976
8.06711	-9.456951399	0.33663	70.32833
8.32886	-9.211938455	0.34626	69.74123
8.59060	-8.97628882	0.35578	69.15854
8.85235	-8.749470245	0.36520	68.58033
9.11409	-8.530991391	0.37450	68.00666
9.37584	-8.32040171	0.38369	67.43759



9.63758	-8.1172869	0.39277	66.87318
9.89933	-7.921264976	0.40173	66.31348
10.16107	-7.731980727	0.41058	65.75854
10.42282	-7.5491071	0.41932	65.20839
10.68456	-7.372336264	0.42794	64.66308
10.94631	-7.201385668	0.43645	64.12265
11.20805	-7.035987794	0.44484	63.58711
11.46980	-6.875894471	0.45311	63.05650
11.73154	-6.720873204	0.46127	62.53083
11.99329	-6.570705745	0.46932	62.01014
12.25503	-6.425184999	0.47724	61.49442
12.51678	-6.284119402	0.48506	60.98370
12.77852	-6.147326323	0.49276	60.47798
13.04027	-6.01463302	0.50034	59.97727
13.30201	-5.885879236	0.50782	59.48156
13.56376	-5.760906091	0.51517	58.99086
13.82550	-5.639572513	0.52242	58.50515
14.08725	-5.521739176	0.52956	58.02444
14.34899	-5.407273146	0.53658	57.54872
14.61074	-5.296052181	0.54350	57.07796
14.87248	-5.1879545	0.55030	56.61216
15.13423	-5.082869587	0.55700	56.15130
15.39597	-4.980689733	0.56359	55.69536
15.65772	-4.881309802	0.57008	55.24432
15.91946	-4.784634533	0.57646	54.79815
16.18121	-4.690570481	0.58274	54.35682
16.44295	-4.599025846	0.58891	53.92032
16.70470	-4.509916157	0.59498	53.48862
16.96644	-4.423160942	0.60096	53.06167
17.22819	-4.33867918	0.60683	52.63946
17.48993	-4.256397764	0.61260	52.22194
17.75168	-4.176244056	0.61828	51.80909
18.01342	-4.098149977	0.62387	51.40087
18.27517	-4.022046239	0.62936	50.99724
18.53691	-3.947871916	0.63476	50.59816
18.79866	-3.875565901	0.64006	50.20359
19.06040	-3.805068212	0.64528	49.81350

19.32215	-3.73632124	0.65041	49.42785
19.58389	-3.669273578	0.65545	49.04659
19.84564	-3.603871861	0.66040	48.66969
20.10738	-3.540064709	0.66527	48.29709
20.36913	-3.477803917	0.67005	47.92877
20.63087	-3.417044303	0.67476	47.56467
20.89262	-3.357738454	0.67938	47.20475
21.15436	-3.299845658	0.68392	46.84897
21.41611	-3.243322822	0.68839	46.49729
21.67785	-3.188128277	0.69278	46.14965
21.93960	-3.134225439	0.69709	45.80602
22.20134	-3.081576437	0.70133	45.46635
22.46309	-3.030143358	0.70549	45.13060
22.72483	-2.979893112	0.70959	44.79872
22.98658	-2.930791192	0.71361	44.47067
23.24832	-2.882805314	0.71756	44.14640
23.51007	-2.835902936	0.72145	43.82587
23.77181	-2.790054828	0.72527	43.50903
24.03356	-2.745230204	0.72902	43.19584
24.29530	-2.701402671	0.73271	42.88625
24.55705	-2.65854302	0.73633	42.58023
24.81879	-2.616623977	0.73989	42.27772
25.08054	-2.575622474	0.74339	41.97868
25.34228	-2.535511398	0.74683	41.68308
25.60403	-2.496266609	0.75022	41.39086
25.86577	-2.457866867	0.75354	41.10198
26.12752	-2.420286863	0.75681	40.81641
26.38926	-2.383506438	0.76002	40.53409
26.65101	-2.347503635	0.76318	40.25499
26.91275	-2.312258123	0.76628	39.97906
27.17450	-2.277751155	0.76933	39.70627
27.43624	-2.243961025	0.77233	39.43657
27.69799	-2.210872083	0.77528	39.16992
27.95973	-2.178463442	0.77817	38.90629
28.22148	-2.146719083	0.78102	38.64563
28.48322	-2.115621102	0.78382	38.38790
28.74497	-2.085154155	0.78658	38.13306

29.00671	-2.055302105	0.78929	37.88108
29.26846	-2.026048027	0.79195	37.63191
29.53020	-1.997378589	0.79457	37.38553
29.79195	-1.969277444	0.79714	37.14188
30.05369	-1.941732878	0.79967	36.90095
30.31544	-1.914727986	0.80216	36.66268
30.57718	-1.888252621	0.80461	36.42704
30.83893	-1.862291442	0.80702	36.19400
31.10067	-1.836832581	0.80939	35.96353
31.36242	-1.811864365	0.81172	35.73558
31.62416	-1.787374252	0.81401	35.51012
31.88591	-1.763350959	0.81627	35.28713
32.14765	-1.739783383	0.81849	35.06656
32.40940	-1.716660595	0.82067	34.84838
32.67114	-1.693971828	0.82281	34.63256
32.93289	-1.671707532	0.82493	34.41908
33.19463	-1.6498562	0.82700	34.20789
33.45638	-1.628409624	0.82905	33.99896
33.71812	-1.607357633	0.83106	33.79227
33.97987	-1.586691234	0.83304	33.58778
34.24161	-1.56640156	0.83499	33.38547
34.50336	-1.546479863	0.83690	33.18531
34.76510	-1.526917512	0.83879	32.98725
35.02685	-1.507707019	0.84065	32.79129
35.28859	-1.488838935	0.84248	32.59739
35.55034	-1.470307007	0.84428	32.40551
35.81208	-1.452103017	0.84605	32.21564
36.07383	-1.434219865	0.84779	32.02775
36.33557	-1.416650539	0.84951	31.84180
36.59732	-1.399387089	0.85120	31.65778
36.85906	-1.382423692	0.85286	31.47566
37.12081	-1.365753576	0.85450	31.29541
37.38255	-1.349370047	0.85611	31.11700
37.64430	-1.333267494	0.85770	30.94042
37.90604	-1.317438349	0.85927	30.76563
38.16779	-1.301878146	0.86081	30.59262
38.42953	-1.286580458	0.86233	30.42135

38.69128	-1.271538921	0.86382	30.25181
38.95302	-1.256750245	0.86529	30.08398
39.21477	-1.242207172	0.86674	29.91783
39.47651	-1.22790451	0.86817	29.75333
39.73826	-1.213838115	0.86958	29.59047
40.00000	-1.200002892	0.87096	29.42922