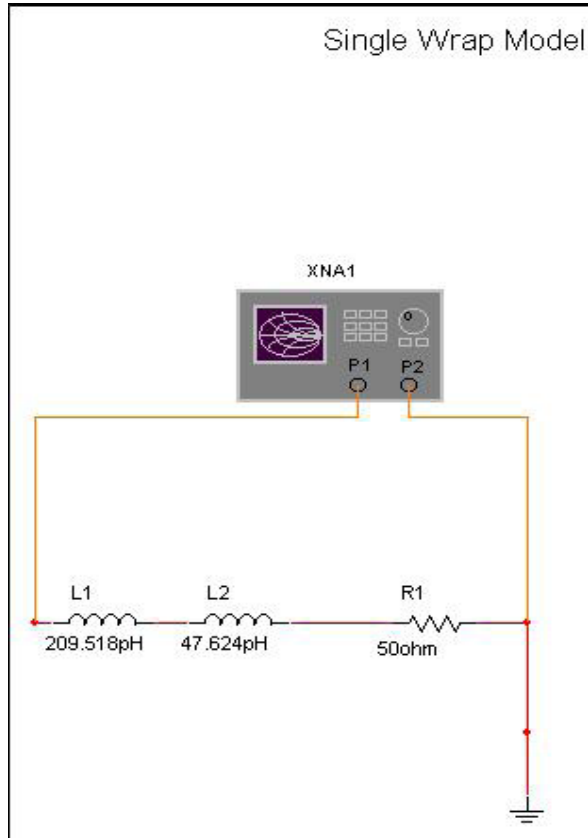


NG30505SG-WB			
Resistor Modeling Data			
FREQ.(GHz)	Return Loss	S11	Phase(S11)
1.00000	-35.8340758	0.01615	89.07437
1.26174	-33.8153155	0.02038	88.83215
1.52349	-32.1787807	0.02461	88.58997
1.78523	-30.8026462	0.02883	88.34785
2.04698	-29.6154197	0.03305	88.10578
2.30872	-28.5715374	0.03728	87.86378
2.57047	-27.6401767	0.04149	87.62185
2.83221	-26.7995019	0.04571	87.38001
3.09396	-26.0334872	0.04993	87.13827
3.35570	-25.3300152	0.05414	86.89663
3.61745	-24.6797023	0.05835	86.65509
3.87919	-24.0751371	0.06255	86.41368
4.14094	-23.5103604	0.06675	86.17239
4.40268	-22.9805101	0.07095	85.93124
4.66443	-22.4815671	0.07515	85.69023
4.92617	-22.0101714	0.07934	85.44938
5.18792	-21.5634831	0.08353	85.20868
5.44966	-21.1390861	0.08771	84.96816
5.71141	-20.7349006	0.09189	84.72782
5.97315	-20.3491285	0.09606	84.48765
6.23490	-19.9802014	0.10023	84.24769
6.49664	-19.6267472	0.10439	84.00793
6.75839	-19.2875555	0.10855	83.76837
7.02013	-18.9615448	0.11270	83.52904
7.28188	-18.647775	0.11685	83.28993
7.54362	-18.3453838	0.12098	83.05106
7.80537	-18.0535972	0.12512	82.81242
8.06711	-17.7717384	0.12924	82.57404
8.32886	-17.4991691	0.13336	82.33592
8.59060	-17.2353359	0.13748	82.09807
8.85235	-16.9797164	0.14158	81.86048
9.11409	-16.7318344	0.14568	81.62318
9.37584	-16.4912714	0.14977	81.38617



9.63758	-16.2576209	0.15386	81.14945
9.89933	-16.0305258	0.15793	80.91304
10.16107	-15.8096515	0.16200	80.67694
10.42282	-15.5946836	0.16606	80.44116
10.68456	-15.3853367	0.17011	80.20571
10.94631	-15.1813459	0.17415	79.97059
11.20805	-14.9824651	0.17819	79.73581
11.46980	-14.7884653	0.18221	79.50138
11.73154	-14.5991284	0.18623	79.26730
11.99329	-14.4142555	0.19023	79.03358
12.25503	-14.2336604	0.19423	78.80024
12.51678	-14.0571689	0.19822	78.56727
12.77852	-13.8846132	0.20219	78.33468
13.04027	-13.7158361	0.20616	78.10248
13.30201	-13.5506976	0.21012	77.87068
13.56376	-13.3890583	0.21407	77.63928
13.82550	-13.2307865	0.21800	77.40829
14.08725	-13.0757658	0.22193	77.17771
14.34899	-12.923875	0.22584	76.94756
14.61074	-12.7750068	0.22975	76.71783
14.87248	-12.6290598	0.23364	76.48854
15.13423	-12.4859341	0.23752	76.25968
15.39597	-12.3455353	0.24139	76.03128
15.65772	-12.2077772	0.24525	75.80332
15.91946	-12.0725778	0.24910	75.57583
16.18121	-11.9398523	0.25293	75.34879
16.44295	-11.8095271	0.25676	75.12223
16.70470	-11.6815284	0.26057	74.89614
16.96644	-11.5557861	0.26437	74.67053
17.22819	-11.4322399	0.26816	74.44541
17.48993	-11.3108192	0.27193	74.22078
17.75168	-11.1914663	0.27569	73.99665
18.01342	-11.074126	0.27944	73.77302
18.27517	-10.9587392	0.28318	73.54989
18.53691	-10.8452528	0.28690	73.32728
18.79866	-10.7336215	0.29062	73.10518
19.06040	-10.6237875	0.29431	72.88361

19.32215	-10.5157126	0.29800	72.66256
19.58389	-10.409346	0.30167	72.44204
19.84564	-10.3046474	0.30533	72.22206
20.10738	-10.2015753	0.30897	72.00262
20.36913	-10.1000899	0.31260	71.78373
20.63087	-10.0001501	0.31622	71.56538
20.89262	-9.90171924	0.31983	71.34758
21.15436	-9.80476191	0.32342	71.13035
21.41611	-9.70924682	0.32699	70.91367
21.67785	-9.61513852	0.33055	70.69756
21.93960	-9.52240289	0.33410	70.48203
22.20134	-9.43101221	0.33764	70.26706
22.46309	-9.34093463	0.34116	70.05267
22.72483	-9.252142	0.34466	69.83886
22.98658	-9.16460714	0.34815	69.62564
23.24832	-9.07829888	0.35163	69.41300
23.51007	-8.99319692	0.35509	69.20095
23.77181	-8.90927194	0.35854	68.98950
24.03356	-8.82650285	0.36197	68.77865
24.29530	-8.74485972	0.36539	68.56840
24.55705	-8.66432777	0.36879	68.35875
24.81879	-8.58487636	0.37218	68.14971
25.08054	-8.50648971	0.37556	67.94128
25.34228	-8.4291457	0.37892	67.73346
25.60403	-8.35282289	0.38226	67.52626
25.86577	-8.27750052	0.38559	67.31967
26.12752	-8.20316073	0.38890	67.11371
26.38926	-8.1297862	0.39220	66.90836
26.65101	-8.05735575	0.39549	66.70365
26.91275	-7.9858532	0.39876	66.49956
27.17450	-7.91526287	0.40201	66.29610
27.43624	-7.84556525	0.40525	66.09328
27.69799	-7.77674566	0.40847	65.89109
27.95973	-7.70878774	0.41168	65.68953
28.22148	-7.64167563	0.41487	65.48862
28.48322	-7.57539597	0.41805	65.28834
28.74497	-7.50993374	0.42121	65.08871

29.00671	-7.44527434	0.42436	64.88972
29.26846	-7.38140156	0.42749	64.69138
29.53020	-7.31830567	0.43061	64.49368
29.79195	-7.25597123	0.43371	64.29664
30.05369	-7.19438718	0.43680	64.10024
30.31544	-7.13353881	0.43987	63.90450
30.57718	-7.07341377	0.44292	63.70940
30.83893	-7.01400201	0.44596	63.51496
31.10067	-6.95529178	0.44899	63.32118
31.36242	-6.89726974	0.45200	63.12806
31.62416	-6.8399267	0.45499	62.93559
31.88591	-6.78324992	0.45797	62.74378
32.14765	-6.72723077	0.46093	62.55263
32.40940	-6.67185707	0.46388	62.36213
32.67114	-6.61711883	0.46681	62.17230
32.93289	-6.56300815	0.46973	61.98314
33.19463	-6.50951182	0.47263	61.79463
33.45638	-6.45662425	0.47552	61.60679
33.71812	-6.40433272	0.47839	61.41961
33.97987	-6.35263027	0.48125	61.23309
34.24161	-6.30150828	0.48409	61.04724
34.50336	-6.25095476	0.48691	60.86205
34.76510	-6.20096514	0.48972	60.67753
35.02685	-6.15152964	0.49252	60.49367
35.28859	-6.1026387	0.49530	60.31048
35.55034	-6.05428475	0.49806	60.12796
35.81208	-6.00646211	0.50081	59.94610
36.07383	-5.95916007	0.50355	59.76490
36.33557	-5.91237329	0.50627	59.58437
36.59732	-5.86609316	0.50897	59.40451
36.85906	-5.82031295	0.51166	59.22531
37.12081	-5.77502608	0.51434	59.04678
37.38255	-5.73022442	0.51700	58.86891
37.64430	-5.68590172	0.51964	58.69170
37.90604	-5.64205017	0.52227	58.51516
38.16779	-5.59866381	0.52489	58.33929
38.42953	-5.55573844	0.52749	58.16407

38.69128	-5.51326503	0.53007	57.98952
38.95302	-5.47123639	0.53265	57.81563
39.21477	-5.42965032	0.53520	57.64241
39.47651	-5.38849822	0.53774	57.46984
39.73826	-5.3477733	0.54027	57.29794
40.00000	-5.30747206	0.54278	57.12669