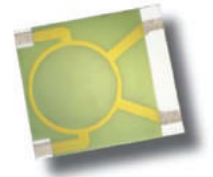


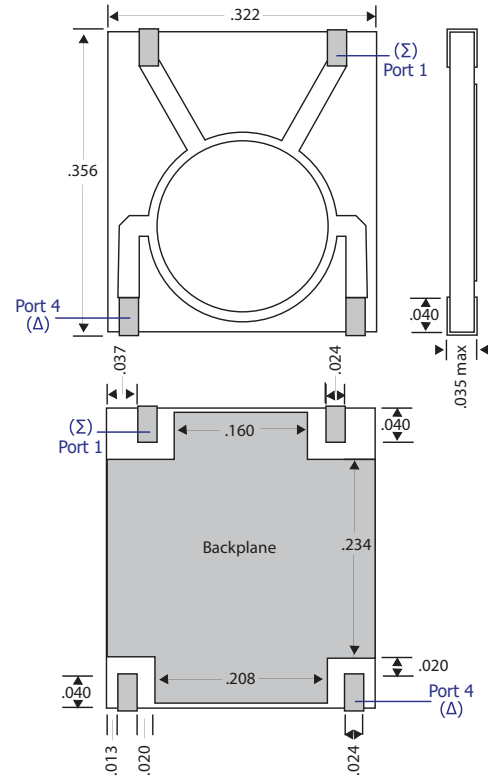
## Thick Film Two Way Rat Race "Ring Hybrid" Divider

IMS has recently developed a high performance thick film Rat Race divider. The unit shown is designed for 9 to 11 GHz operation and is of surface mount architecture. Dissipated loss is typically less than 0.3dB.



## FEATURES

IMD2417	SPECIFICATION
Operating Frequency:	9 - 11GHz
Size:	.322" x .356" x .035" Max
Insertion Loss:	0.5dB or less
Input Isolation:	20dB or more
Phase Split:	+/- 5 degrees
Amplitude Split:	+/- 1.0dB
Input Power:	20W with a 100° C baseplate



IMD2417 Coupling Response

